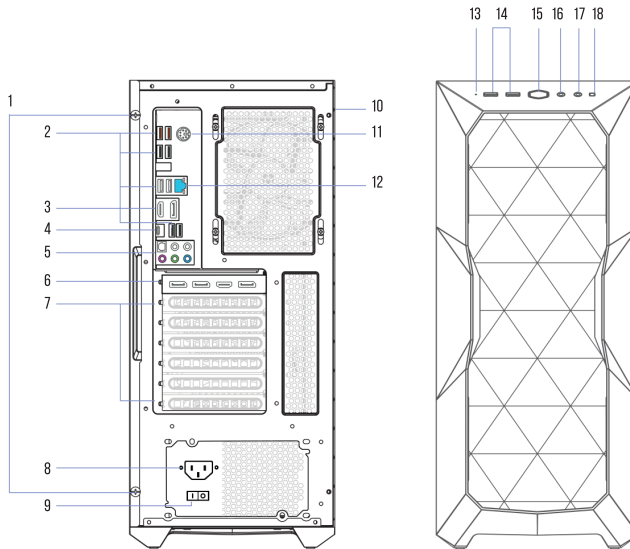




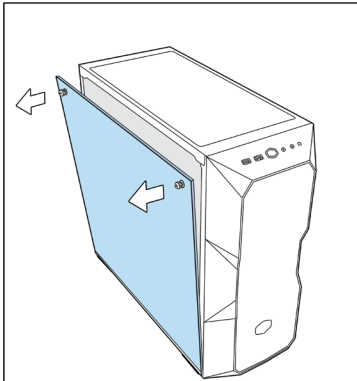
BUILD REDUX
QUICK START GUIDE

SYSTEM OVERVIEW

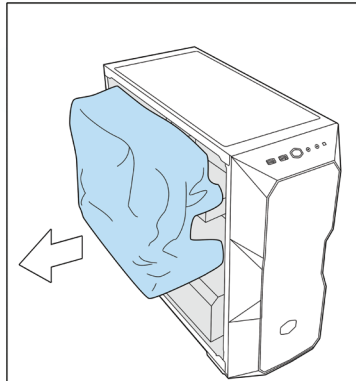


1. Back Panel Screws
2. USB Ports
3. Motherboard Display Output
4. USB Type C Port (*may not be present on all systems*)
5. Audio Input Output Ports
6. Video Card Output Ports
7. Expansion Card Brackets
8. PC Power Plug
9. Power Supply On/ Off Switch
10. Side Panel Thumb Screws
11. PS/2 Keyboard Port (*may not be present on all systems*)
12. Ethernet Port
13. HDD Activity LED
14. Front Panel USB 3.0 Ports
15. Power Button
16. Headphone Port
17. Microphone Port
18. Reset Button

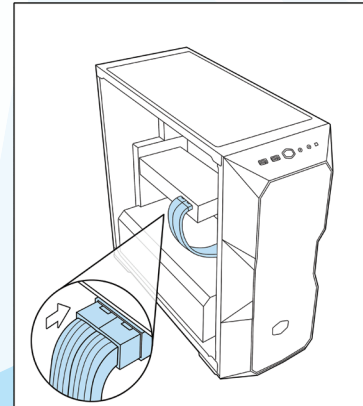
PACKAGING FOAM REMOVAL



Undo side panel screws and remove glass panel. *Note, screws are imbedded in glass and will not come out.



Carefully remove protective foam from the system.

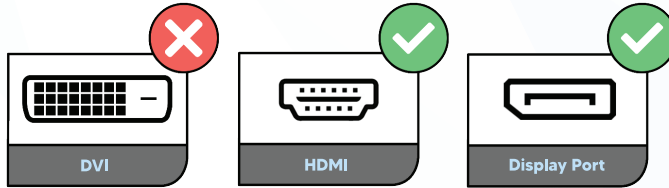


Inspect all cables prior to turning on system to make sure none were disconnected in shipping or while removing the protective foam.



CONNECT DISPLAY

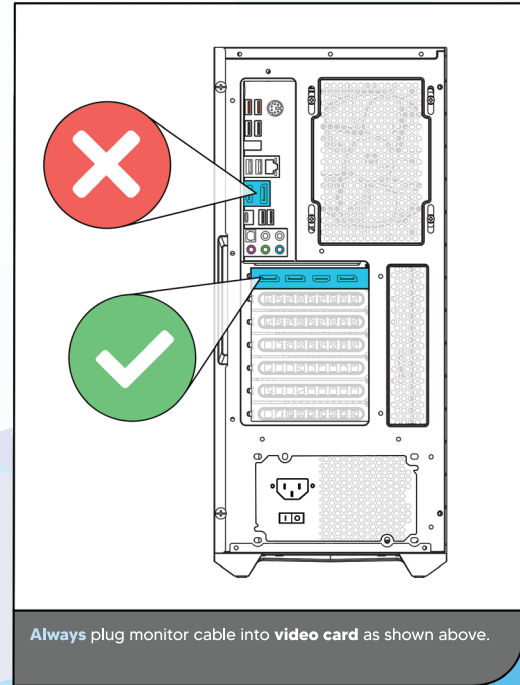
Connect to your dedicated graphics card, not the motherboard.



*If available on your monitor, **always** use **HDMI** or **Display Port**.

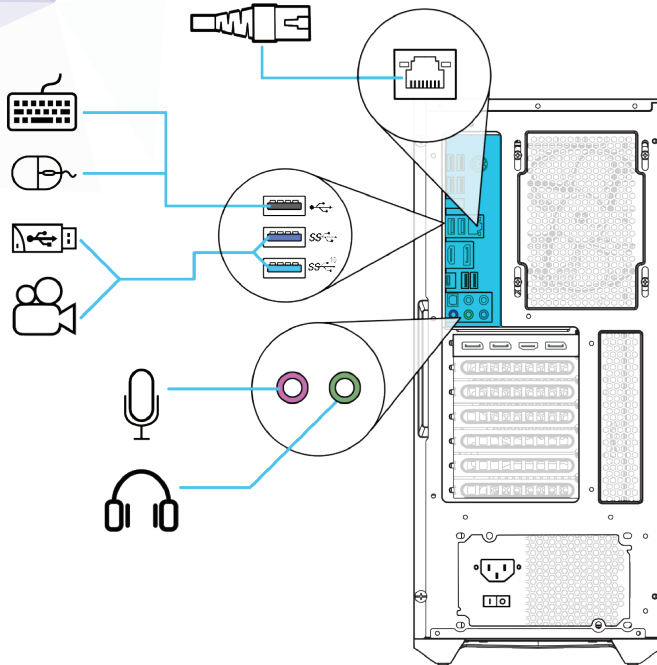
*If you have a G-Sync/ Freesync monitor, Use **Display Port**.

*Only hook up **one** display cable to each monitor.



Always plug monitor cable into **video card** as shown above.

CONNECT PERIPHERALS



*USB port colors may appear different on some motherboards. If your colors do not match, refer to the USB icons next to your ports.



USB 2.0: Slowest ports, perfect for keyboards, mice, RGB mousepads etc.

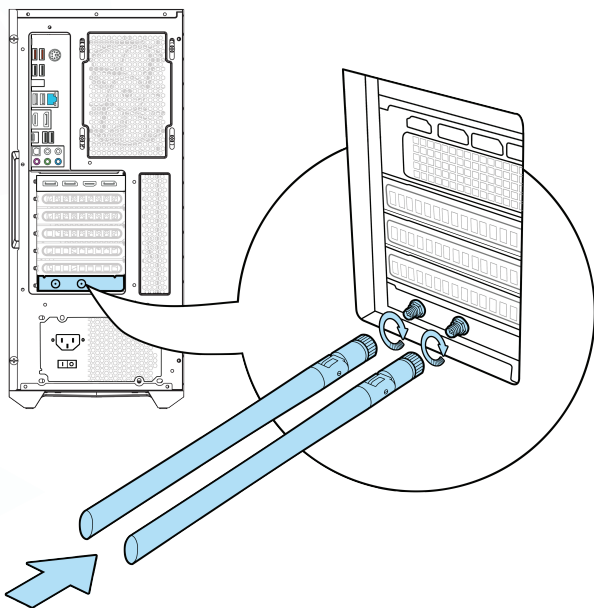


USB 3.0/ 3.1: Faster ports, great for webcams, USB thumbdrives.



USB 3.1 GEN 2: Fastest ports, best for video capture devices, high resolution video cameras and fast external storage.

*Redux case front panel USB ports are black for aesthetic reasons but are USB 3.0 in speed.

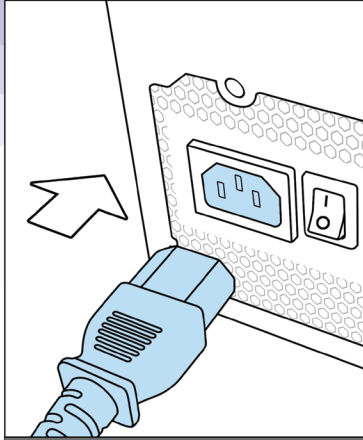


CONNECTING WIFI

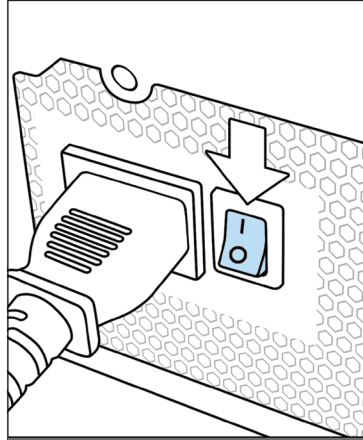
If you purchased WiFi connectivity with your PC, locate the two antennas in the accessory box and attach both antennas to the on-board WiFi card as shown.



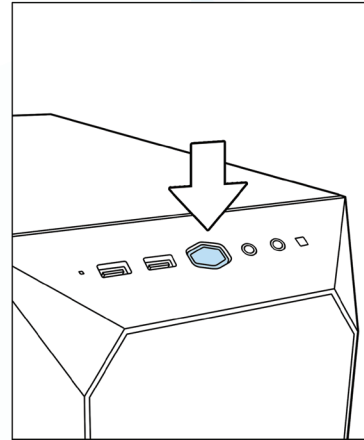
POWER ON YOUR SYSTEM



Firmly plug the power cable into the power supply on the back of your PC.



Flip the power supply switch to the "I" position to turn on the power supply.



Press the power button on the top front of your case to start your PC.

*The power cable is located in your REDUX accessory box.

*Your PC may power on, then off, then back on the first time you start it. This is normal.

SHOW US YOUR SETUP!

Use [@BuildRedux](#) and [#BuildRedux](#)
Share your build on socials.





BUILD REDUX

if you need additional help, please visit our website www.buildredux.com and click on the **Support** section.